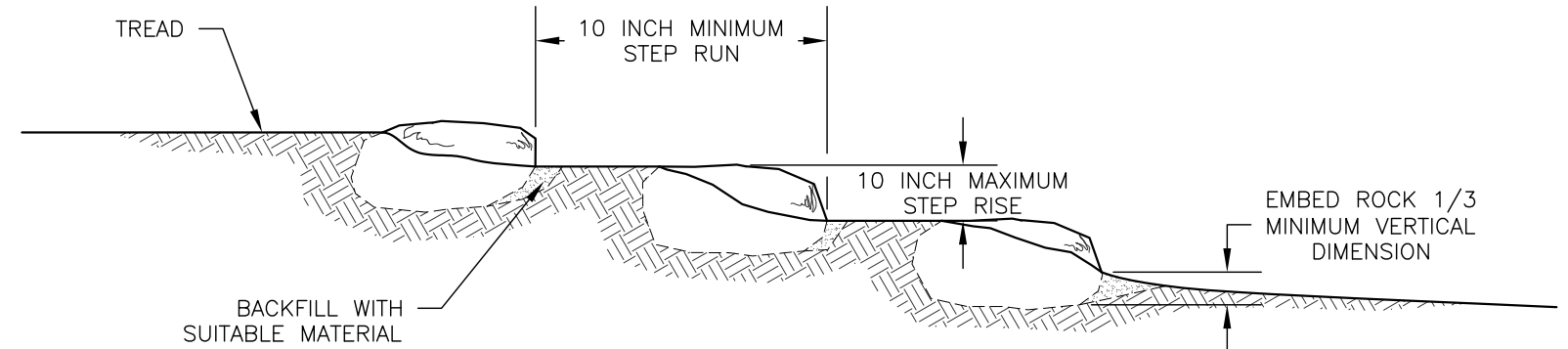
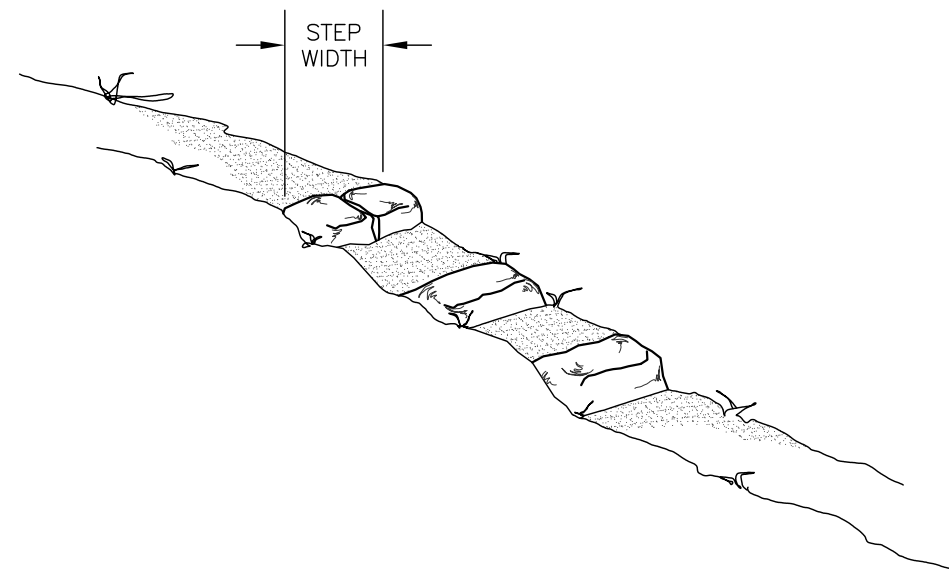


# INDIVIDUAL ROCK STEP

TYPICAL ID	STEP WIDTH	STEP RUN	STEP RISE	MINIMUM ROCK WEIGHT	COMMENTS
IRS-1					



## ROCK RISER STAIRWAY

**NOTES:**

1. COMPACT BACKFILL IN 6 INCH LIFTS UNTIL NO VISUAL DISPLACEMENT.
2. REMOVE AND DISPOSE OF DUFF AND TOP ORGANIC LAYERS DOWN TO MINERAL SOIL.